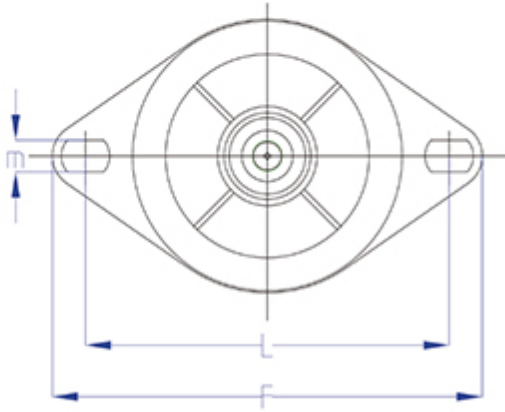
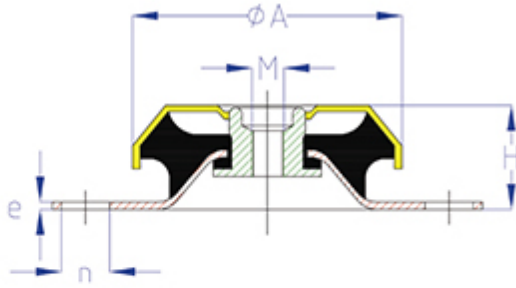


SCC_FR

	REF / ART.NR		DIMENSIONS								COMPRESSION	
		Sh	ØA	H	L	M	F	e	m	n	CHARGE	FLECHE
			mm.								kg.	mm.
SCC	SCC080M10NR35	35	83	36	110	M-10	135	3	11,5	15	80	4,5±1,0
	SCC080M10NR45	45	83	36	110	M-10	135	3	11,5	15	130	4,5±1,0
	SCC080M10NR60	60	83	36	110	M-10	135	3	11,5	15	175	4,5±1,0
	SCC080M10NR75	75	83	36	110	M-10	135	3	11,5	15	230	3,5±1,0
	SCC080M12NR35	35	83	36	110	M-12	135	3	11,5	15	80	4,5±1,0
	SCC080M12NR45	45	83	36	110	M-12	135	3	11,5	15	130	4,5±1,0
	SCC080M12NR60	60	83	36	110	M-12	135	3	11,5	15	175	4,5±1,0
	SCC080M12NR75	75	83	36	110	M-12	135	3	11,5	15	230	3,5±1,0
	SCC095M10NR35	35	92	34	123	M-10	150	3	10,0	15	200	5,0±1,0
	SCC095M10NR45	45	92	34	123	M-10	150	3	10,0	15	300	5,0±1,0
	SCC095M10NR60	60	92	34	123	M-10	150	3	10,0	15	600	5,0±1,0
	SCC095M10NR75	75	92	34	123	M-10	150	3	10,0	15	900	5,0±1,0
	SCC095M12NR35	35	92	34	123	M-12	150	3	10,0	15	200	5,0±1,0
	SCC095M12NR45	45	92	34	123	M-12	150	3	10,0	15	300	5,0±1,0
	SCC095M12NR60	60	92	34	123	M-12	150	3	10,0	15	600	5,0±1,0
	SCC095M12NR75	75	92	34	123	M-12	150	3	10,0	15	900	5,0±1,0
	SCC110M12NR35	35	106	41	143	M-12	169	3	12,5	19	200	7,0±1,0
	SCC110M12NR45	45	106	41	143	M-12	169	3	12,5	19	340	7,0±1,0
	SCC110M12NR60	60	106	41	143	M-12	169	3	12,5	19	420	7,0±1,0
	SCC110M12NR65	65	106	41	143	M-12	169	3	12,5	19	425	5,0±1,0
	SCC110M12NR75	75	106	41	143	M-12	169	3	12,5	19	800	5,0±1,0
	SCC110M16NR35	35	106	41	143	M-16	169	3	12,5	19	200	7,0±1,0
	SCC110M16NR45	45	106	41	143	M-16	169	3	12,5	19	340	7,0±1,0
	SCC110M16NR60	60	106	41	143	M-16	169	3	12,5	19	420	7,0±1,0
	SCC110M16NR65	65	106	41	143	M-16	169	3	12,5	19	425	5,0±1,0
	SCC110M16NR75	75	106	41	143	M-16	169	3	12,5	19	800	5,0±1,0
	SCC150M16NR35	35	150	54	182	M-16	218	4	14,0	18	450	9,0±1,5
	SCC150M16NR45	45	150	54	182	M-16	218	4	14,0	18	600	9,0±1,5
	SCC150M16NR60	60	150	54	182	M-16	218	4	14,0	18	800	8,0±1,5
	SCC150M16NR65	65	150	54	182	M-16	218	4	14,0	18	1000	8,0±1,5
	SCC150M16NR75	75	150	54	182	M-16	218	4	14,0	18	1000	6,0±1,5
	SCC155M16NR35	35	150	50	182	M-16	218	4	14,0	18	450	9,0±1,5
SCC155M16NR45	45	150	50	182	M-16	218	4	14,0	18	600	9,0±1,5	
SCC155M16NR60	60	150	50	182	M-16	218	4	14,0	18	800	8,0±1,5	
SCC155M16NR65	65	150	50	182	M-16	218	4	14,0	18	1000	8,0±1,5	
SCC155M16NR75	75	150	50	182	M-16	218	4	14,0	18	1000	6,0±1,5	
SCCQ	SCC150M16QNR35	35	150	54	132	M-16	170	4	14,5	17	450	9,0±1,5
	SCC150M16QNR45	45	150	54	132	M-16	170	4	14,5	17	600	9,0±1,5
	SCC150M16QNR60	60	150	54	132	M-16	170	4	14,5	17	800	8,0±1,5
	SCC150M16QNR65	65	150	54	132	M-16	170	4	14,5	17	1000	8,0±1,5
	SCC150M16QNR75	75	150	54	132	M-16	170	4	14,5	17	1000	6,0±1,5
	SCC155M16QNR35	35	150	50	132	M-16	170	4	14,5	17	550	6,0±1,0
	SCC155M16QNR45	45	150	50	132	M-16	170	4	14,5	17	720	6,0±1,0
	SCC155M16QNR60	60	150	50	132	M-16	170	4	14,5	17	1320	6,0±1,0
	SCC155M16QNR65	65	150	50	132	M-16	170	4	14,5	17	1430	6,0±1,0
	SCC155M16QNR75	75	150	50	132	M-16	170	4	14,5	17	1800	6,0±1,0
	SCC160M20QNR45	45	161	58	140	M-20	170	4	14	14	900	7,0±1,0
	SCC160M20QNR50	50	161	58	140	M-20	170	4	14	14	1500	7,0±1,0
	SCC160M20QNR60	60	161	58	140	M-20	170	4	14	14	1600	7,0±1,0
	SCC160M20QNR75	75	161	58	140	M-20	170	4	14	14	2000	7,0±1,0
	SCC180M20QNR45	45	180	66	150	M-20	190	5	21	18,5	1120	7,0±1,0
	SCC180M20QNR60	60	180	66	150	M-20	190	5	21	18,5	2240	7,0±1,0
	SCC180M20QNR75	75	180	66	150	M-20	190	5	21	18,5	3000	6,0±1,0
	SCC220M24QNR45	45	224	105	180	M-24	220	4	17,5	17,5	1700	17,0±2,0
SCC220M24QNR60	60	224	105	180	M-24	220	4	17,5	17,5	3400	17,0±2,0	
SCC220M24QNR75	75	224	105	180	M-24	220	4	17,5	17,5	5000	15,0±2,0	

SCC



SCCQ

