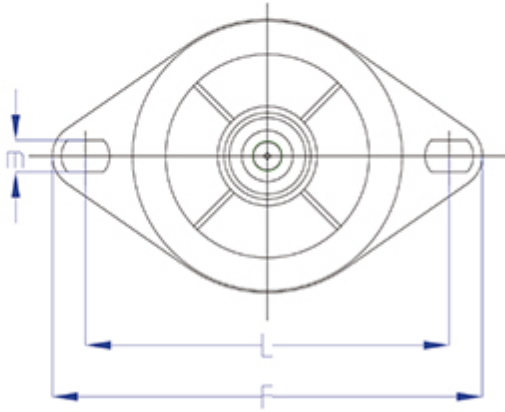
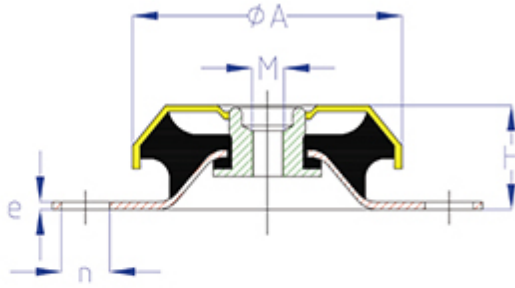


SCC_EN

| | REF / ART.NR | | DIMENSIONS | | | | | | | | COMPRESSION | |
|---------------|----------------|-----|------------|-----|------|------|-----|------|------|------|-------------|------------|
| | | Sh | ØA | H | L | M | F | e | m | n | LOAD | DEFLECTION |
| | | | mm. | | | | | | | | kg. | mm. |
| SCC | SCC080M10NR35 | 35 | 83 | 36 | 110 | M-10 | 135 | 3 | 11,5 | 15 | 80 | 4,5±1,0 |
| | SCC080M10NR45 | 45 | 83 | 36 | 110 | M-10 | 135 | 3 | 11,5 | 15 | 130 | 4,5±1,0 |
| | SCC080M10NR60 | 60 | 83 | 36 | 110 | M-10 | 135 | 3 | 11,5 | 15 | 175 | 4,5±1,0 |
| | SCC080M10NR75 | 75 | 83 | 36 | 110 | M-10 | 135 | 3 | 11,5 | 15 | 230 | 3,5±1,0 |
| | SCC080M12NR35 | 35 | 83 | 36 | 110 | M-12 | 135 | 3 | 11,5 | 15 | 80 | 4,5±1,0 |
| | SCC080M12NR45 | 45 | 83 | 36 | 110 | M-12 | 135 | 3 | 11,5 | 15 | 130 | 4,5±1,0 |
| | SCC080M12NR60 | 60 | 83 | 36 | 110 | M-12 | 135 | 3 | 11,5 | 15 | 175 | 4,5±1,0 |
| | SCC080M12NR75 | 75 | 83 | 36 | 110 | M-12 | 135 | 3 | 11,5 | 15 | 230 | 3,5±1,0 |
| | SCC095M10NR35 | 35 | 92 | 34 | 123 | M-10 | 150 | 3 | 10,0 | 15 | 200 | 5,0±1,0 |
| | SCC095M10NR45 | 45 | 92 | 34 | 123 | M-10 | 150 | 3 | 10,0 | 15 | 300 | 5,0±1,0 |
| | SCC095M10NR60 | 60 | 92 | 34 | 123 | M-10 | 150 | 3 | 10,0 | 15 | 600 | 5,0±1,0 |
| | SCC095M10NR75 | 75 | 92 | 34 | 123 | M-10 | 150 | 3 | 10,0 | 15 | 900 | 5,0±1,0 |
| | SCC095M12NR35 | 35 | 92 | 34 | 123 | M-12 | 150 | 3 | 10,0 | 15 | 200 | 5,0±1,0 |
| | SCC095M12NR45 | 45 | 92 | 34 | 123 | M-12 | 150 | 3 | 10,0 | 15 | 300 | 5,0±1,0 |
| | SCC095M12NR60 | 60 | 92 | 34 | 123 | M-12 | 150 | 3 | 10,0 | 15 | 600 | 5,0±1,0 |
| | SCC095M12NR75 | 75 | 92 | 34 | 123 | M-12 | 150 | 3 | 10,0 | 15 | 900 | 5,0±1,0 |
| | SCC110M12NR35 | 35 | 106 | 41 | 143 | M-12 | 169 | 3 | 12,5 | 19 | 200 | 7,0±1,0 |
| | SCC110M12NR45 | 45 | 106 | 41 | 143 | M-12 | 169 | 3 | 12,5 | 19 | 340 | 7,0±1,0 |
| | SCC110M12NR60 | 60 | 106 | 41 | 143 | M-12 | 169 | 3 | 12,5 | 19 | 420 | 7,0±1,0 |
| | SCC110M12NR65 | 65 | 106 | 41 | 143 | M-12 | 169 | 3 | 12,5 | 19 | 425 | 5,0±1,0 |
| | SCC110M12NR75 | 75 | 106 | 41 | 143 | M-12 | 169 | 3 | 12,5 | 19 | 800 | 5,0±1,0 |
| | SCC110M16NR35 | 35 | 106 | 41 | 143 | M-16 | 169 | 3 | 12,5 | 19 | 200 | 7,0±1,0 |
| | SCC110M16NR45 | 45 | 106 | 41 | 143 | M-16 | 169 | 3 | 12,5 | 19 | 340 | 7,0±1,0 |
| | SCC110M16NR60 | 60 | 106 | 41 | 143 | M-16 | 169 | 3 | 12,5 | 19 | 420 | 7,0±1,0 |
| | SCC110M16NR65 | 65 | 106 | 41 | 143 | M-16 | 169 | 3 | 12,5 | 19 | 425 | 5,0±1,0 |
| | SCC110M16NR75 | 75 | 106 | 41 | 143 | M-16 | 169 | 3 | 12,5 | 19 | 800 | 5,0±1,0 |
| | SCC150M16NR35 | 35 | 150 | 54 | 182 | M-16 | 218 | 4 | 14,0 | 18 | 450 | 9,0±1,5 |
| | SCC150M16NR45 | 45 | 150 | 54 | 182 | M-16 | 218 | 4 | 14,0 | 18 | 600 | 9,0±1,5 |
| | SCC150M16NR60 | 60 | 150 | 54 | 182 | M-16 | 218 | 4 | 14,0 | 18 | 800 | 8,0±1,5 |
| | SCC150M16NR65 | 65 | 150 | 54 | 182 | M-16 | 218 | 4 | 14,0 | 18 | 1000 | 8,0±1,5 |
| | SCC150M16NR75 | 75 | 150 | 54 | 182 | M-16 | 218 | 4 | 14,0 | 18 | 1000 | 6,0±1,5 |
| | SCC155M16NR35 | 35 | 150 | 50 | 182 | M-16 | 218 | 4 | 14,0 | 18 | 450 | 9,0±1,5 |
| SCC155M16NR45 | 45 | 150 | 50 | 182 | M-16 | 218 | 4 | 14,0 | 18 | 600 | 9,0±1,5 | |
| SCC155M16NR60 | 60 | 150 | 50 | 182 | M-16 | 218 | 4 | 14,0 | 18 | 800 | 8,0±1,5 | |
| SCC155M16NR65 | 65 | 150 | 50 | 182 | M-16 | 218 | 4 | 14,0 | 18 | 1000 | 8,0±1,5 | |
| SCC155M16NR75 | 75 | 150 | 50 | 182 | M-16 | 218 | 4 | 14,0 | 18 | 1000 | 6,0±1,5 | |
| SCCQ | SCC150M16QNR35 | 35 | 150 | 54 | 132 | M-16 | 170 | 4 | 14,5 | 17 | 450 | 9,0±1,5 |
| | SCC150M16QNR45 | 45 | 150 | 54 | 132 | M-16 | 170 | 4 | 14,5 | 17 | 600 | 9,0±1,5 |
| | SCC150M16QNR60 | 60 | 150 | 54 | 132 | M-16 | 170 | 4 | 14,5 | 17 | 800 | 8,0±1,5 |
| | SCC150M16QNR65 | 65 | 150 | 54 | 132 | M-16 | 170 | 4 | 14,5 | 17 | 1000 | 8,0±1,5 |
| | SCC150M16QNR75 | 75 | 150 | 54 | 132 | M-16 | 170 | 4 | 14,5 | 17 | 1000 | 6,0±1,5 |
| | SCC155M16QNR35 | 35 | 150 | 50 | 132 | M-16 | 170 | 4 | 14,5 | 17 | 550 | 6,0±1,0 |
| | SCC155M16QNR45 | 45 | 150 | 50 | 132 | M-16 | 170 | 4 | 14,5 | 17 | 720 | 6,0±1,0 |
| | SCC155M16QNR60 | 60 | 150 | 50 | 132 | M-16 | 170 | 4 | 14,5 | 17 | 1320 | 6,0±1,0 |
| | SCC155M16QNR65 | 65 | 150 | 50 | 132 | M-16 | 170 | 4 | 14,5 | 17 | 1430 | 6,0±1,0 |
| | SCC155M16QNR75 | 75 | 150 | 50 | 132 | M-16 | 170 | 4 | 14,5 | 17 | 1800 | 6,0±1,0 |
| | SCC160M20QNR45 | 45 | 161 | 58 | 140 | M-20 | 170 | 4 | 14 | 14 | 900 | 7,0±1,0 |
| | SCC160M20QNR50 | 50 | 161 | 58 | 140 | M-20 | 170 | 4 | 14 | 14 | 1500 | 7,0±1,0 |
| | SCC160M20QNR60 | 60 | 161 | 58 | 140 | M-20 | 170 | 4 | 14 | 14 | 1600 | 7,0±1,0 |
| | SCC160M20QNR75 | 75 | 161 | 58 | 140 | M-20 | 170 | 4 | 14 | 14 | 2000 | 7,0±1,0 |
| | SCC180M20QNR45 | 45 | 180 | 66 | 150 | M-20 | 190 | 5 | 21 | 18,5 | 1120 | 7,0±1,0 |
| | SCC180M20QNR60 | 60 | 180 | 66 | 150 | M-20 | 190 | 5 | 21 | 18,5 | 2240 | 7,0±1,0 |
| | SCC180M20QNR75 | 75 | 180 | 66 | 150 | M-20 | 190 | 5 | 21 | 18,5 | 3000 | 6,0±1,0 |
| | SCC220M24QNR45 | 45 | 224 | 105 | 180 | M-24 | 220 | 4 | 17,5 | 17,5 | 1700 | 17,0±2,0 |
| | SCC220M24QNR60 | 60 | 224 | 105 | 180 | M-24 | 220 | 4 | 17,5 | 17,5 | 3400 | 17,0±2,0 |
| | SCC220M24QNR75 | 75 | 224 | 105 | 180 | M-24 | 220 | 4 | 17,5 | 17,5 | 5000 | 15,0±2,0 |

SCC



SCCQ

