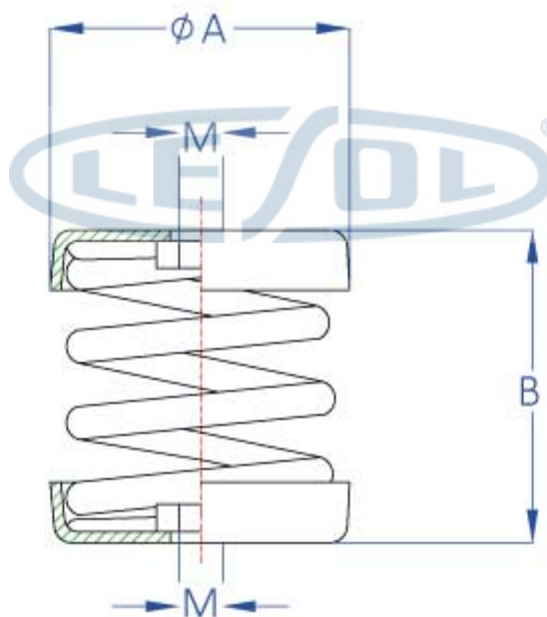


AISLANTES METÁLICOS**MUELLE SIMPLE**NLC

	REF / ART.NR	DIMENSIONES								COMPRESIÓN		CONSTANTE	COMPRESIÓN		CONSTANTE
		ØA	B	C	D	E	F	G	M	CARGA	FLECHA		CARGA	FLECHA	
		mm.								kg.	mm.	kg./cm	N	mm.	N/mm
NLCM08-NLCM10	NLCM08-005	55	57	8	5	25±2,0	1.76	36	20±2,0	1.76
	NLCM08-007	55	57	8	7	25±2,0	2.74	55	20±2,0	2.74
	NLCM08-012	55	59	8	12	25±2,0	4.51	90	20±2,0	4.51
	NLCM08-018	55	59	8	18	25±2,0	7.06	150	21±2,0	7.06
	NLCM08-029	55	59	8	29	25±2,0	11.37	230	20±2,0	11.37
	NLCM08-044	55	59	8	44	25±2,0	17.25	350	20±2,0	17.25
	NLCM08-066	55	59	8	66	25±2,0	25.87	550	21±2,0	25.87
	NLCM08-112	55	59	8	112	25±2,0	43.9	880	20±2,0	43.9
	NLCM10-020	73	95						10	20	30±3,0	7.16	265	37±4,0	7.16
	NLCM10-035	73	95						10	35	30±3,0	12.26	380	31±3,0	12.26
	NLCM10-060	73	95						10	60	30±3,0	21.61	670	31±3,0	21.61
	NLCM10-095	73	95						10	95	30±3,0	33.33	1200	36±4,0	33.33
	NLCM10-145	73	95						10	145	30±3,0	48.57	1700	35±4,0	48.57
	NLCM10-230	73	95						10	230	30±3,0	77.14	2700	35±4,0	77.14
	NLCM10-370	73	95						10	370	30±3,0	123.33	3800	30±3,0	123.33
	NLCM10-475	73	95						10	475	25±2,0	179.31	5200	29±3,0	179.31
NLCM10-595	73	95						10	595	25±2,0	238	6400	27±3,0	238	

NLC M8



NLC M10

