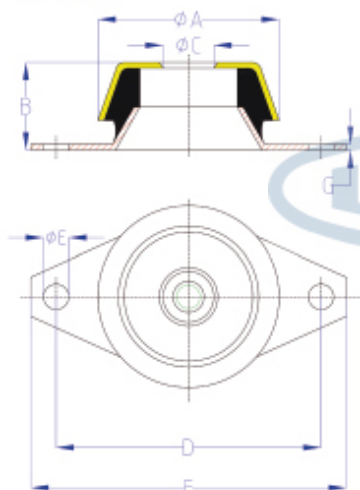


# M400\_EN

	REF / ART.NR		DIMENSIONS							COMPRESSION
	Sh	Ø A	B	Ø C	D	Ø E	F	G	LOAD	
	mm.									kg.
M-400 CS	M-410	60	46	23	8	68	6.5	81	1.5	45-90
	M-412	60	60	31	10	85	8.5	106	3	100-200
	M-414	60	92	45	16	110	10.5	128	3	200-400
	M-416	60	108	50	24	160	16.5	190	5	400-600
made in rubber NITRILE (SYNTHETIC)										
	REF / ART.NR		DIMENSIONS							COMPRESSION
	Sh	Ø A	B	C	D	Ø E	F	G	LOAD	
	mm.									kg.
M-400 CF	M-420	60	48	23	M-8	68	6.5	81	1.5	45-90
	M-424	60	92	45	M-14	110	10.5	128	3	200-400
made in rubber NITRILE (SYNTHETIC)										

M-400 CS



M-400 CF

