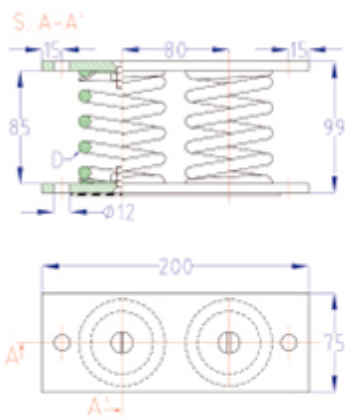


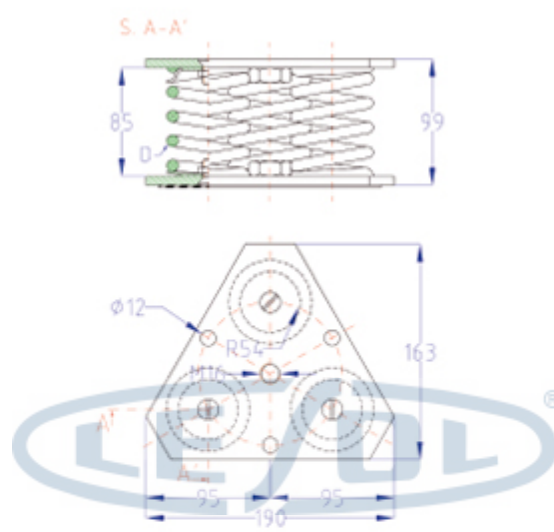
2N3N4N_FR

	REF / ART.NR	CHARGE	FLECHE	RIGIDITE
		kg.	mm.	kg./cm
2N	2N300	300	13±2,0	230,77
	2N500	500	13±2,0	384,62
	2N700	700	13±2,0	538,46
3N	3N450	450	13±2,0	346,15
	3N750	750	13±2,0	576,92
	3N1050	1050	13±2,0	807,69
4N	4N600	600	13±2,0	461,54
	4N1000	1000	13±2,0	769,23
	4N1400	1400	13±2,0	1076,92

2N



3N



4N

